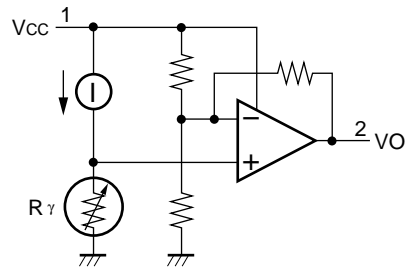
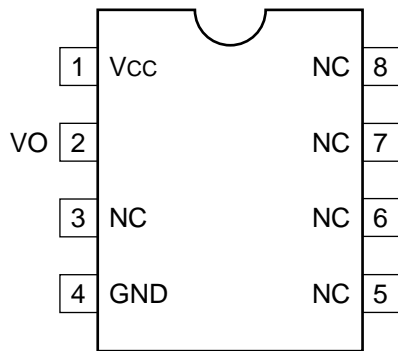


## VOLTAGE OUTPUT TEMPERATURE SENSOR

—TOP VIEW—



VO : DEVICE OUTPUT